

FRISCH
ENGINEERED PRODUCTS INC.

CORPORATE OFFICE/PLANT

382-16th St. W. Box 1570

Battleford, SK S0M 0E0

Canada

Ph: (306) 937-4353

Fax: (306) 937-2257

www.frischvalves.com

Butterfly Valves & Dampers



"30" Triple Offset Valves



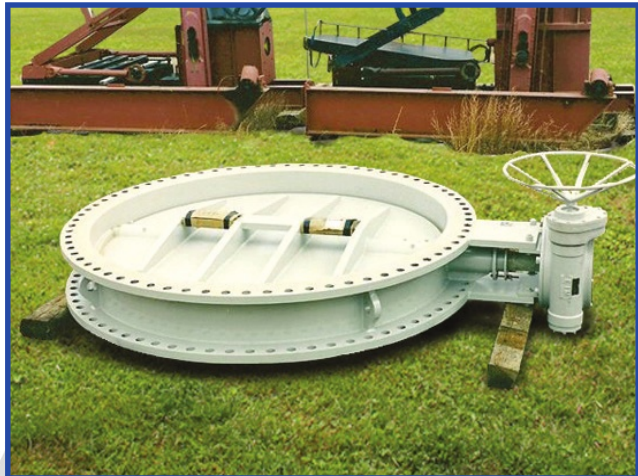
"88" Refractory Lined Butterfly Valve

www.frischvalves.com

BUTTERFLY VALVES & DAMPERS



24" - 36" Butterfly Control Valves



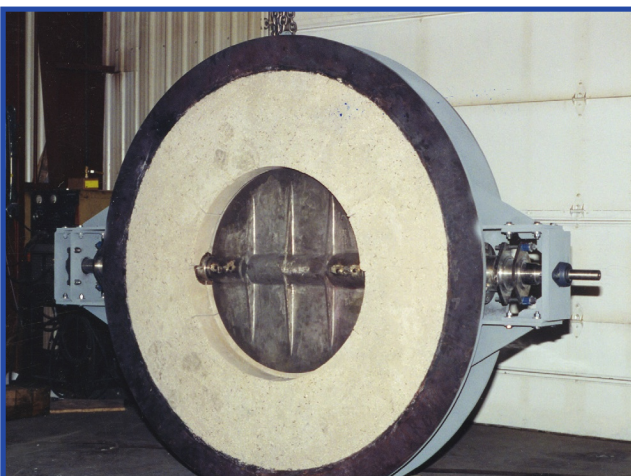
108" Machined Seat Butterfly Valve



60" Resilient Seat Butterfly Valve



48" Pneumatically Operated Tadpole Butterfly



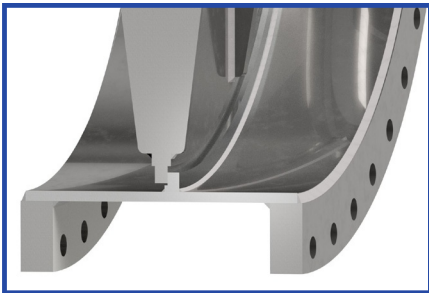
66" X 36" Refractory Lined Butterfly Valve



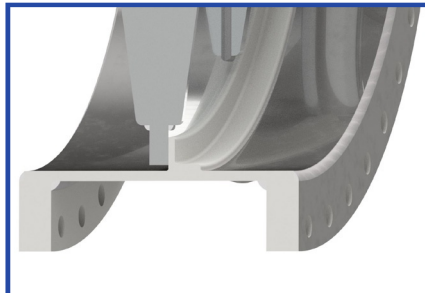
72" O-Ring Butterfly Valve

DESIGN OPTIONS

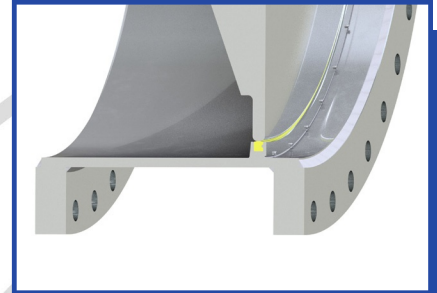
SEATS



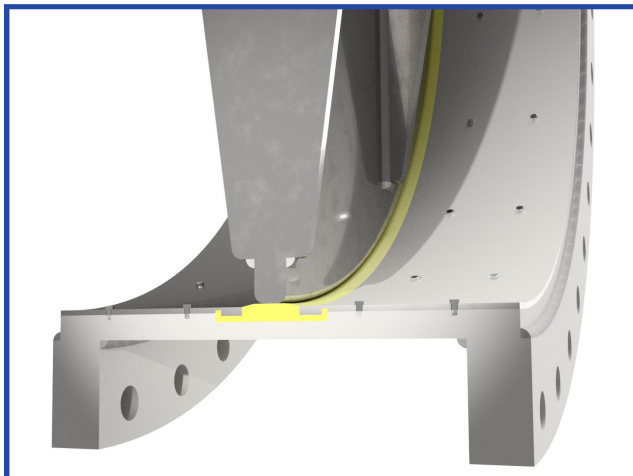
Machined Seat



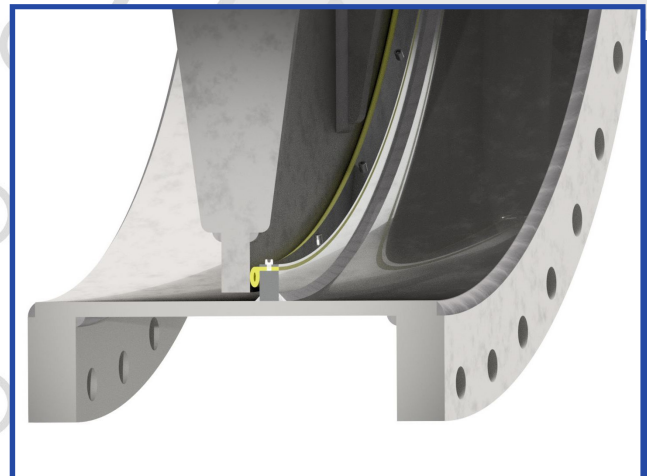
Step Seat



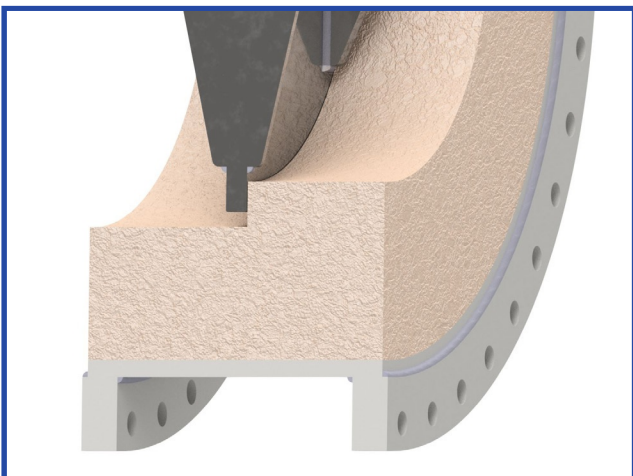
Double Offset Seat



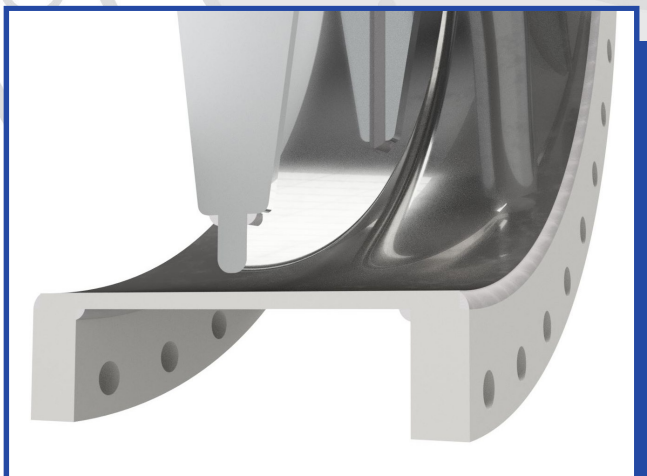
Resilient Seat



Tadpole Seat



Refractory Seat



Swing Through Seat

CORPORATE PROFILE

Frisch Engineered Products' Corporate Mission is to provide every customer with **reliable valves** for the **best price without compromising quality**. Our **corporate commitment** is to maintain a worldwide reputation of **distinction in the fabricated valve market**. Our **seasoned personnel, insightful and innovative management systems**, and a **tightly controlled quality assurance** program ensure timely delivery of the technologically advanced valves our customers can depend on.

Frisch's team is comprised of leaders in engineering, marketing, finance, and manufacturing. Since 1988 our products for **severe service applications** have been meeting the **most rigorous requirements** of world leaders in industry and government.

Frisch manufactures a complete range of valves for low pressure, high temperature, erosive and corrosive services. We also provide comprehensive packages for actuation and control. Each package is custom engineered to specific customer requirements. We are capable of supplying valves for services to **50 psi and 3000°F**.

The Frisch Team has serviced the following industries:

Coal Gasification
Carbon Black
Metals Refining and Smelting
Oil Refining
Petro Chemical
Power Generation
Pulp and Paper
Steel Mills
Sulphuric Acid Plants
Waste Incineration and Management
Waste Water Treatment

The plants above use our products in the following areas:

- Bag Houses
- Catalytic Cracking Units
- CO Boilers
- Control or Isolation of Flue Gases
- Control and Isolation of Process Gases
- Dust Collection Systems
- Fume Collection & Incineration
- Reactor Inlet and Outlet
- Sulphur Burning Furnaces
- Sulphur Recovery
- Turbo Expander Isolation and Control
- Waste Gas Recovery Systems
- Waste Heat Boilers

Contact Frisch for assistance to solve **all your severe service** fluid control and shutoff problems.

PRODUCTS

Frisch valves and dampers include a wide variety of types and sizes of **butterfly, angle, diverter, guillotine, gate, and refractory lined** designs. Valve seats and seals of creative design configurations progress from swing-through for **precise low pressure flow** control to machined hard faced seats for **very tight shutoff** to FCI 70.2 Class V.

Sizes: 2' to 144" for the products listed to the right.

Pressure Classes to ANSI 1500

Services temperatures from -400°F to 3000°F.

We manufacture the following products:

Butterfly Valves

Rubber Seated, Metal Seated, Swing Through

Slide Gate Valves

Parallel, Wedge Type, Refractory Lined

Multi Blade Dampers

Parallel or Opposed Blade, Refractory Lined

Angle Valves

Metal Seated, Refractory Lined

Diverter & Mixing Valves

Y or T Configurations, 2, 3, or 4 Way

FRISCH FIGURE NUMBER SYSTEM

VALVE TYPE	DESIGN PRESSURE	BODY END STYLE	BODY MATERIAL	TRIM AREA
20	! 0010	! - RF	! - AA	! - AE

Eg.: 20 ! 0010 ! - RF ! - AA ! - AE !
Butterfly Valve, designed for 10 PSI @ 800°F, with Raised Face Flanged Ends, Body is Carbon Steel, and Trim is 304 Stainless Steel

FRISCH VALVE TYPE

- 20 - Concentric Butterfly Valve or Damper
- 21 - Butterfly - O-Ring Single Offset
- 22 - Butterfly - Double Offset
- 23 - Triple Offset Valve
- 24 - Unassigned
- 25 - Refractory Lined Butterfly
- 30 - Plug/Jug Valve
- 31 - Poppet Valve
- 35 - Refractory Lined jug Valve
- 40 - Unassigned
- 50 - Multi Blade Louver
- 55 - Multi Blade Refractory Lined Louver
- 60 - Flex Wedge Gate Valve
- 62 - Double Block & Bleed Gate Valve
- 65 - Refractory Lined Gate Valve
- 70 - Check (discontinued)
- 80 - Diverter - T
- 85 - Diverter - T - Refractory
- 90 - Diverter - Y
- 95 - Diverter - Y - Refractory

DESIGN PRESSURE

0001- 1- 9999 Psig

BODY END CONNECTION/ BODY STYLE

BW - Butt Weld Ends
FF - Flat Face Flange
RF - Raised Face Flange
RT - Ring Type Joint Flange
LG - Lugged Body
WF - Wafer Flange
ZZ - Other - Specify

BODY MATERIAL

AA - A36/44W Carbon Steel
AB - A516GR70/A216WCB/A105
AC - A387GR11/A217WC6/A182F11
AD - A387GR22/A217WC9/A182F22
AE - A240T304/A351CF8/A182F304
AF - A240T304H/A351CF8/A182F304H
AG - A240T316/A351CF8M/A182F316
AH - A240T347/A351CF8C/A182F347
AI - Inconel 625/A494CW6MC/B564NO6625
ZZ - Other - Specify

TRIM MATERIAL

Same Code As Body

www.frischvalves.com